



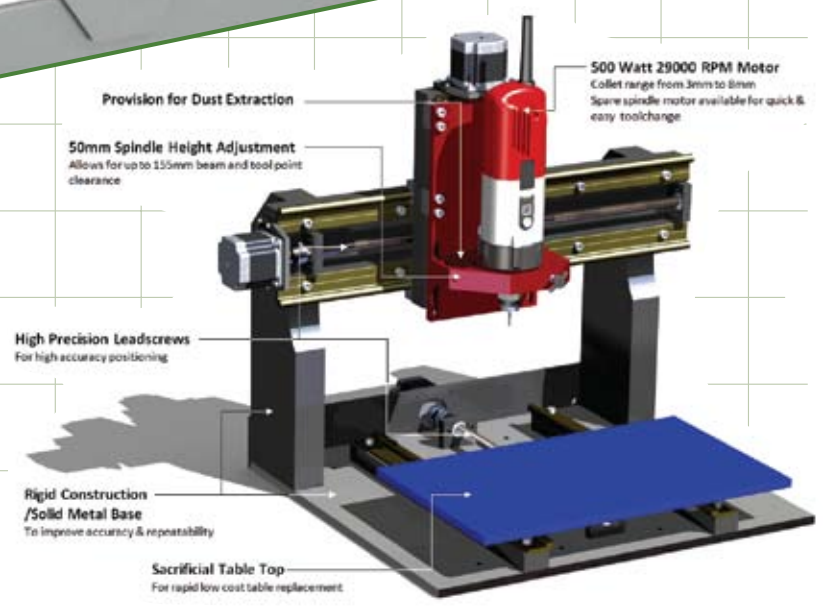
MRC 40

VERSATILE, AFFORDABLE ROUTER, MILLER & ENGRAVER

NEW



Shown with optional Aluminium T-Slot Table



Provision for Dust Extraction

50mm Spindle Height Adjustment
Allows for up to 155mm beam and tool point clearance

High Precision Leadscrews
For high accuracy positioning

Rigid Construction / Solid Metal Base
To improve accuracy & repeatability

Sacrificial Table Top
For rapid low cost table replacement

500 Watt 29000 RPM Motor
Collet range from 3mm to 8mm
Spare spindle motor available for quick & easy toolchange



Ideal for use in conjunction with



MRC 40

VERSATILE, AFFORDABLE ROUTER, MILLER & ENGRAVER

Denford's high-spec / low-cost solution for all your routing, milling and engraving needs. The MRC 40 has a powerful 500W spindle motor and offers high speed manufacture linked with a large working envelope. This versatile machine handles small engraving jobs, and the large working envelope and Z axis capability (110mm) is perfect for the manufacture of large 3D designs. Set-up and tool changes are a simple process, and the MRC 40 has a host of optional extras for specialist applications.

The MRC 40 is available with everything you need to get you up and running immediately. In addition, there is a full range of optional items, including a "Resources Pack," which incorporates a package of mixed tools (2D, 3D & engraving tooling and collets), plus a variety of consumable materials such as 'protofoam' and cast acrylic billets.

THE MRC 40 COMES AS STANDARD WITH:

- VR CNC Milling Operating Software (PC not included)
- Powerful 500W High Speed Spindle
- Sacrificial Table
- Outlet for Dust Extraction System
- 8mm and 1/4" Collets
- USB Connection

OPTIONAL EQUIPMENT INCLUDES:

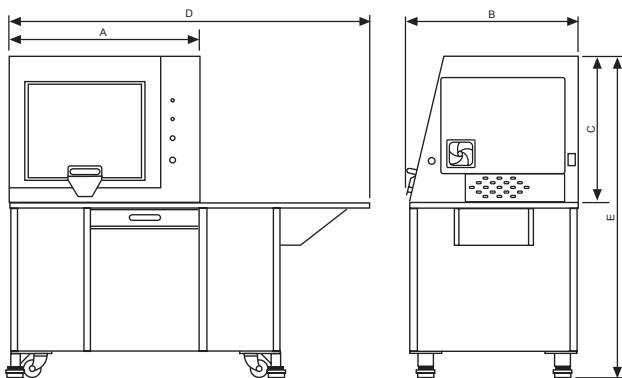
- Resources Pack (including a variety of 2D, 3D & engraving tooling and drill bits, foam & acrylic billets, double-sided tape)
- QuickCAM 2D Design Software
- QuickCAM PRO Software
- Aluminium T-Slot Table and Clamping Kit (factory fitted)
- F1 in Schools Car Manufacturing Fixture (only available when T-Slot Table fitted)
- Spare Spindle Motor Assembly for quick tool change
- Vacuum Pads x 2 with Integral Pump
- Floating Head for PCB Manufacture
- Universal Machine Bench & Computer Support Arm

SYSTEM REQUIREMENTS

Please refer to page 13.

RECOMMENDED SOFTWARE PROGRAMS

Please refer to Compact 1000 PRO see page 27.



Machine Dimensions.

SEAMLESS IMPORT OF TECHSOFT 2D DESIGN FILES:

The import routine with Denford's VR CNC Milling V5 operating software works with Techsoft 2D Design Tools Versions 1 & 2 and also with ALL major CAD packages. It is far more advanced than the Techsoft post-processor, supplied with Techsoft Version 1 and is far simpler to use.

ALL Denford machines operating with VR CNC Milling V5 are able to import designs drawn in Techsoft Versions 1 & 2, saved in DXF format, **without any additional software or post processor being required.**

VR Milling V5 has the facility to import DXF, DWG and Gerber files, which then allows multiple toolpaths to be created. The toolpaths are generated using the vector data imported and not colours, fill or line width. Six strategies can be chosen.

| MECHANICAL DETAILS | MRC40 |
|---|--------------|
| Machine Length (A) | 875mm |
| Machine Depth (B) | 750mm |
| Machine Height (C) | 675mm |
| Length with Optional Base (D) | 1600mm |
| Height with Optional Base (E) | 1440mm |
| Machine Weight | 113kg |
| Machine Weight with Opt. Base | 227kg |
| Table Size | 400 x 240mm |
| Travel X Axis | 400mm |
| Travel Y Axis | 240mm |
| Travel Z Axis | 110mm |
| Beam Clearance (max work height) | 155mm |
| Max. Spindle Speed | 29000rpm |
| Feed Override | 0 - 150% |
| Max. Feed Rate | 5000mm/min |
| Max. 3D Profiling | 4500mm/min |
| Mains Supply Requirements* (* Alternative supplies available on request) | Single Phase |
| Spindle Motor | 500 Watts |
| Axes Motors | Stepper |
| Volts | 230 Volts |
| Amps | 5 Amps |
| Hz | 50 Hz |
| Electric Connection | 13 A Socket |



Get help, advice and share designs online
www.denfordata.com/bb

To get you up and running, Denford also offer a range of CNC Routers, Lasers, Milling Machines and Lathes, together with tooling packages, workholding kits and courseware.

Total Commitment to Manufacturing Technology in Education and Training Worldwide. ISO9001 compliant.

Denford reserves the right to alter machines and software specifications without prior notice. All Denford products are subject to copyright. All brands and products are trademarks or registered trademarks of their respective companies.

DENFORD

CALL NOW T: +44(0)1484 728000

F: +44(0)1484 728100 Email: info@denford.co.uk

Denford Limited, Armytage Road, Brighouse, West Yorkshire HD6 1QF, England